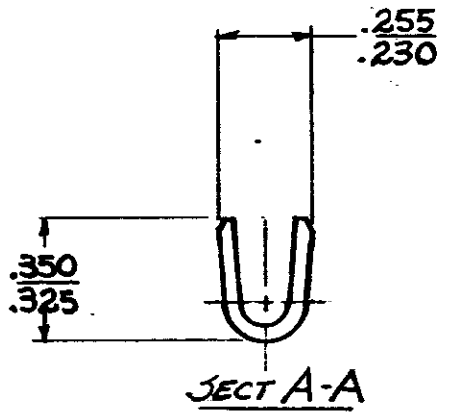
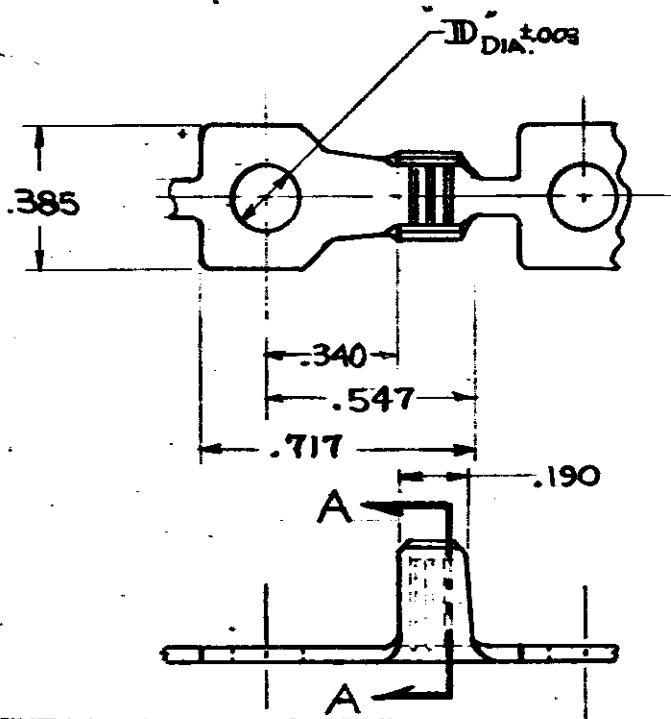


NUMBER
42673

S



CONTINUOUS STRIP ON REELS

WIRE SIZE	STUD #	"D" DIA. ±.003	MATERIAL & FINISH	PART NUMBER
8-10	10	.197	.040 BRASS - NONE	42673-1
"	"	"	.040 - BRASS - TIN	42673-2

DIMENSIONS IN INCHES. DO NOT SCALE PRINT.

©1968 BY AMP INCORPORATED. ALL RIGHTS RESERVED. AMP PRODUCTS COVERED BY PATENTS AND/OR PATENTS PENDING.

**CUSTOMER COPY
REFERENCE ONLY**

MATERIAL AND FINISH



SEE TABLE

CLASS — H —

WIRE — RANGE — INSULATION
SEE TABLE — H —

TYPE — H —

TOLERANCE EXCEPT AS NOTED
= .015 = 1" 0'

SCALE
2x1

LOC
A

NO
42673

REV
D

NAME
— RING —

APP	DATE	CHK	DATE
DR	1-3-68	DR	1-3-68
DE	1-3-68	DR	1-3-68
DESIGN	4/2/68	DR	1-3-68
APP	1-3-68	DR	1-3-68